



LED controls with optional keypad

Countertop freezers			
Controls	Keypad	V/Hz/Ph	Item number
LED	No	115/60/1	FZR2
	Yes	115/60/1	FZR2-KP

Options and accessories

- Factory-installed keypad locking system (must be specified at time of order)
- Wall mount bracket (item# 00969949)
- Organizing bins, 6 (item# 00969931)
- Extra shelf (item# 00969956)
- Temperature surveillance module (item# 00168674) (includes alarm, 6.00" (15.24 cm) chart recorder, remote contacts)
- Pedestal, fan-assist, 4.50" (11.43 cm) (item# 01025899)
- Pedestal, 12.00" (30.5 cm) (item# 01025881)
- Digital data logger kit (item# 01057561)
- NO/NC dry contacts for connection to remote alarm systems (item# 01092022)
- Stacking kit – countertop on countertop (item# 01100742)
- Stacking kit – countertop on Performance Plus undercounter (item# 01100759)

Features

Superior temperature performance

- heavy-duty compressor and forced air cooling
- quiet compressor and coaxial fans
- non-CFC R404a refrigerant
- automatic defrost

Convenience and security

- exterior LED displays product temperature in user-selectable F or C
- "sleep mode" turns off display
- user-programmable, audible and visual high/low alarms
- lockable controller prevents inadvertent setpoint changes
- adjustable refrigeration set points are accessed through front controls
- high/low temperature log shows highest and lowest product temperature recorded
- cylinder door lock
- back wall port provides entry for third-party probes
- flush door design is compatible with standard automated dispensing system brackets

Durability and serviceability

- stainless steel construction on exterior and interior
- rubberized feet
- two epoxy-coated wire shelves
- heavy-duty edge-mount self-closing hinges
- field-reversible door
- removable back panel for easy service access to compressor, condenser and fans
- dart-type magnetic gasket
- dished floor

Warranty

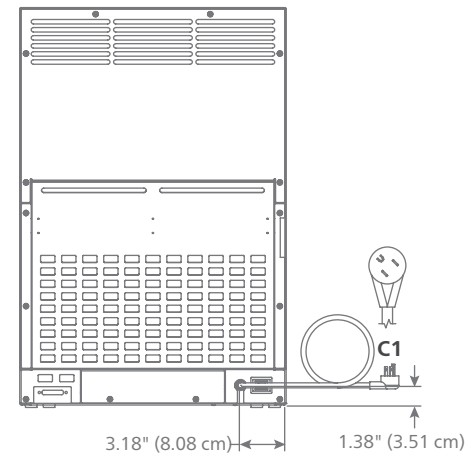
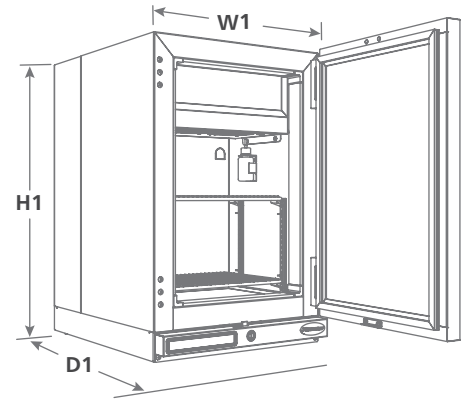
- 2 year parts and labor on refrigeration system
- 5 year parts on compressor

Specification

Nominal capacity	1.6 cu ft (44 L)
W1 Width exterior	18.60" (47.2 cm)
Depth at top	24.00" (61.0 cm)
D1 Depth at bottom	20.00" (50.8 cm)
H1 Height exterior	27.93" (70.9 cm)
Width interior	14.60" (37.1 cm)
Depth interior	11.60" (29.5 cm)
Height interior	15.72" (39.9 cm)
Ventilation clearance with more than 12.00" (30.5 cm) top clearance	2.00" (5.1 cm) side clearance
Ventilation clearance with less than 12.00" (30.5 cm) top clearance	6.00" (15.3 cm) side clearance
C1 115 V/60/1 electrical	4.1 full load amps, NEMA 5-15P 90° hospital-grade plug low profile, SJT, 18 AWG, 8' (2.4 m) cord
Door	stainless steel
Door lock	cylinder door lock with 2 keys
Door hinges	edge-mount, self-closing
Door swing	standard with self-closing right hinge, field reversible
Storage system	(2) 13.81" x 10.44" (35.1 cm x 26.5 cm), epoxy-coated wire shelves
Gasket	magnetic, dart-style
Temperature display	standard 7 segment LED, default set in C, user-selectable F or C
Display sleep function	button turns off display, press again to turn back on
High and low product temperature alarm	audible and visual, user programmable set points in F or C
Factory set point and operating range	preset at -28 C (-18 F) with an adjustable range from -17 C (0 F) to -30 C (-22 F)
Probe error alarm	audible and visual — product temperature probes, refrigeration and defrost
Alarm delay	user-programmable 0 to 60 minute (default 1 minute)
Alarm mute	user selectable
Alarm volume	0 -10 adjustable
Automatic defrost	electric, timed, adjustable
Product simulation bottle	(1) 60 ml
Probes	5 probes : P1 controls refrigeration system; P2 controls defrost; P3 bottle; P6 controls suction and P7 controls discharge
Refrigerant and charge	R404a refrigerant, 9.2 oz charge
Energy consumption	5.4 kWh/day
Max heat rejection	875 BTU/hr
Approximate ship weight	126 lb (57 kg)

NOTE: For indoor use only

Dimensional drawing



SHORT FORM SPECIFICATION: Freezer with solid stainless steel door fits on standard 24.00" (61.0 cm) deep countertop with 1.6 cubic feet (44 L) of nominal capacity. Includes (2) epoxy-coated wire shelves, adjustable in 1/2" increments. Environmentally responsible R404a forced-air cooled refrigeration system. Bottom-mounted controls display product temperature in user selectable C or F. Integral high and low temperature alarming. Storage area insulated with CFC-free high-density polyurethane foam. 8' (2.4 m) power cord with NEMA 5-15p 90 degree hospital-grade plug. NSF, UL and cUL listed.

Follett is a registered trademark of Follett Corporation, registered in the US.
Follett reserves the right to change specifications at any time without obligation. Certifications may vary depending on country of origin.

FZR2 countertop freezer