

medical-grade countertop refrigerator



LED controls with optional keypad

Countertop refrigerators			
Controls	Keypad	V/Hz/Ph	Item number
LED	No	115/60/1	REF2
	Yes	115/60/1	REF2-KP

Options and accessories

Factory-installed keypad locking system (must be specified at time of order)

Wall mount bracket (item# 00969949)

Organizing bins, 6 (item# 00969931)

Extra shelf (item# 00969956)

Temperature surveillance module (item# 00168674) (includes alarm, 6.00" (15.24 cm) chart recorder, remote contacts)

Pedestal, fan-assist, 4.50" (11.43 cm) (item# 01025899)

Pedestal, 12.00" (30.5 cm) (item# 01025881)

Digital data logger kit (item# 01057561)

NO/NC dry contacts for connection to remote alarm systems (item# 01092022)

Stacking kit – countertop on countertop (item# 01100742)

Stacking kit – countertop on Performance Plus undercounter (item# 01100759)

Features

Superior temperature performance

- heavy-duty compressor and forced air cooling
- system maintains +/-1.8 F (1 C) product temperature even with frequent door openings
- quiet compressor and coaxial fans
- non-CFC R134a refrigerant

Convenience and security

- exterior LED displays product temperature in user-selectable F or C
- "sleep mode" turns off display
- user-programmable, audible and visual high/low alarms
- lockable controller prevents inadvertent setpoint changes
- remote contacts for connection to central alarm systems
- adjustable refrigeration set points are accessed through front controls
- high/low temperature log shows highest and lowest product temperature recorded
- cylinder door lock supports Joint Commission standards for medication storage
- back wall port provides entry for third-party probes
- flush door design, compatible with standard automated dispensing system brackets

Durability and serviceability

- stainless steel construction on exterior and interior
- rubberized feet
- two epoxy-coated wire shelves
- heavy-duty edge-mount self-closing hinges
- field-reversible door
- removable back panel for easy service access to compressor, condenser and fans
- dart-type magnetic gasket
- dished floor for easy cleanup

Warranty

- 2 year parts and labor on refrigeration system
- 5 year parts on compressor

Job

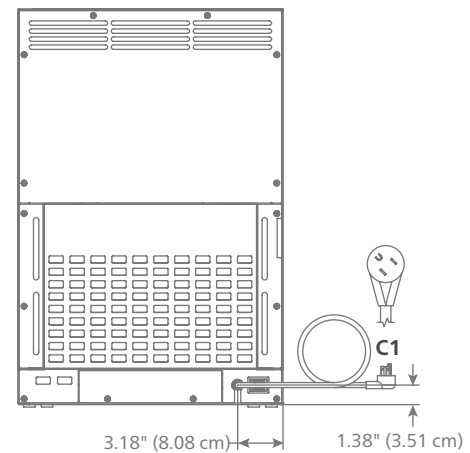
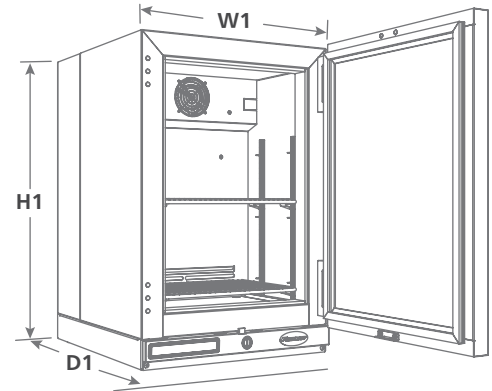
Item

Specification

Nominal capacity	1.8 cu ft (51 L)
W1 Width exterior	18.60" (47.2 cm)
Depth at top	24.00" (61.0 cm)
D1 Depth at bottom	20.00" (50.8 cm)
H1 Height exterior	27.93" (70.9 cm)
Width interior	14.50" (36.8 cm)
Depth interior	10.00" (25.4 cm)
Height interior	21.25" (54.0 cm)
Ventilation clearance with more than 8.00" (20.32 cm) top clearance	2.00" (5.08 cm) for both sides
Ventilation clearance with less than 8.00" (20.32 cm) top clearance	6.00" (15.24 cm) for one side
C1 115 V/60/1 electrical	1.8 full load amps, NEMA 5-15P 90° hospital-grade plug low profile, SJT, 18 AWG, 8' (2.4 m) cord
Door	stainless steel
Door lock	cylinder door lock with 2 keys
Door hinges	edge-mount, self-closing
Door swing	standard with self-closing right hinge, field reversible
Storage system	(2) 13.75" x 9.00", (34.9 cm x 22.8 cm) epoxy-coated wire shelves
Gasket	magnetic, dart-style
Temperature display	standard 7 segment LED, default set in C, user-selectable F or C
Display sleep function	button turns off display, press again to turn back on
High and low product temperature alarm	audible and visual, user programmable set points in F or C
Factory set point and operating range	preset at 4.4 C (40 F) with an adjustable range from 2 C to 10 C (36 F to 50 F)
Alarm	user-programmable high/low; audible and visual alert; audible alarm mute
Alarm delay	user-programmable 0 to 255 min
Automatic defrost	no heated defrost cycle required
Product simulation bottle	(1) 60 ml
Probes	2 probes : P1 controls refrigeration system; P2 provides product temperature
Refrigerant and charge	R134a refrigerant, 3.4 oz charge
Energy consumption	1.4 kWh/day
Max heat rejection	190 BTU/hr
Approximate ship weight	109 lb (49 kg)

NOTE: For indoor use only

Dimensional drawing



SHORT FORM SPECIFICATION: Refrigerator with solid stainless steel door fits on standard 24.00" (61.0 cm) deep countertop and under standard 18.00" (45.7 cm) wall-hung cabinets with 1.8 cubic feet (51 L) of nominal capacity. Includes (2) epoxy-coated wire shelves, adjustable in 1/2" increments. Environmentally responsible R134a forced-air cooled refrigeration system. Bottom-mounted controls display product temperature in user-selectable C or F. Integral high and low temperature alarming. Storage area insulated with CFC-free, high-density polyurethane foam. 8' (2.4 m) power cord with NEMA 5-15P 90° hospital-grade plug. NSF, UL and CUL listed.

Follett is a registered trademark of Follett Corporation, registered in the US. Follett reserves the right to change specifications at any time without obligation. Certifications may vary depending on country of origin.

REF2 countertop refrigerator